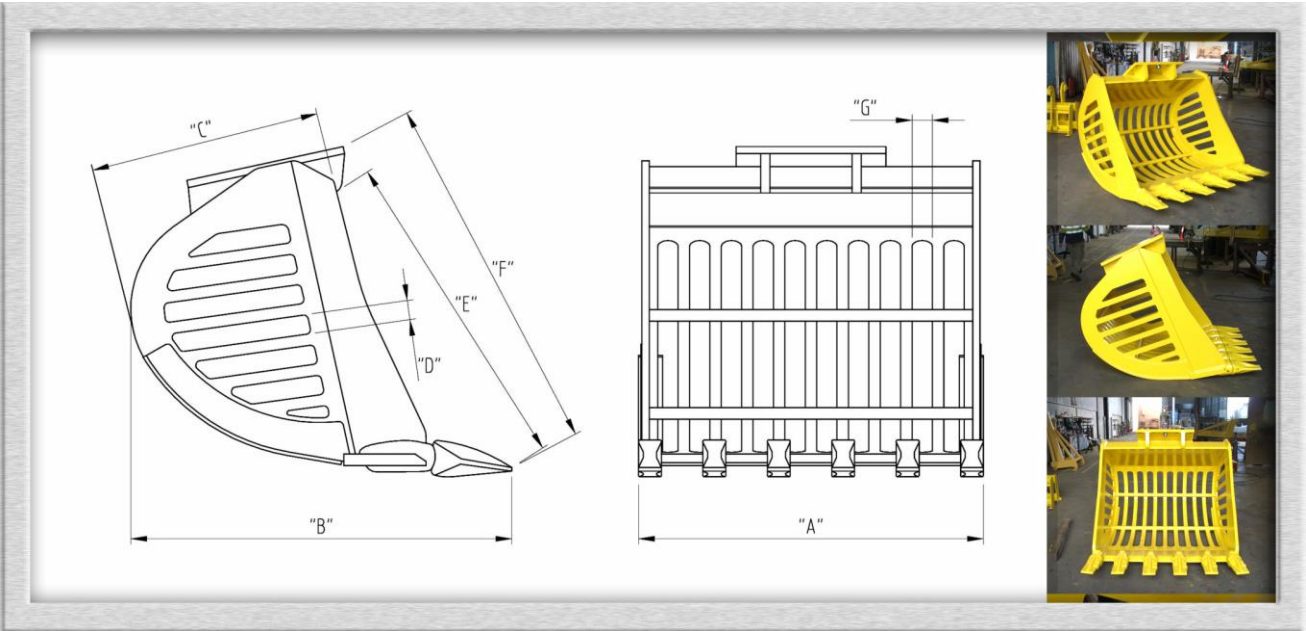


SKELETON BUCKET

(DEMOLITION BUCKET)



At Contatore Engineering we know that flexibility is important to the productivity of your business, that is why we offer a wide range of attachments available for hire, hire/buy or straight out purchase.

The heavy duty Skeleton Bucket shown on this page is just one of the attachments available with the options discussed in the previous paragraph.

This bucket is compatible via a custom made head bracket to suit the required excavator.
See table below for dimensions.

DESCRIPTION	MEASUREMENT
"A" OVERALL WIDTH	1510mm
"B" OVERALL DEPTH	1670mm
"C" INTERNAL DEPTH	1010mm
"D" SIDE GAPS TYP.	85mm
"E" TIP TO SHELL	1430mm
"F" TIP TO BOLT PLATE	1585mm
"G" SHELL GAPS TYP.	90



