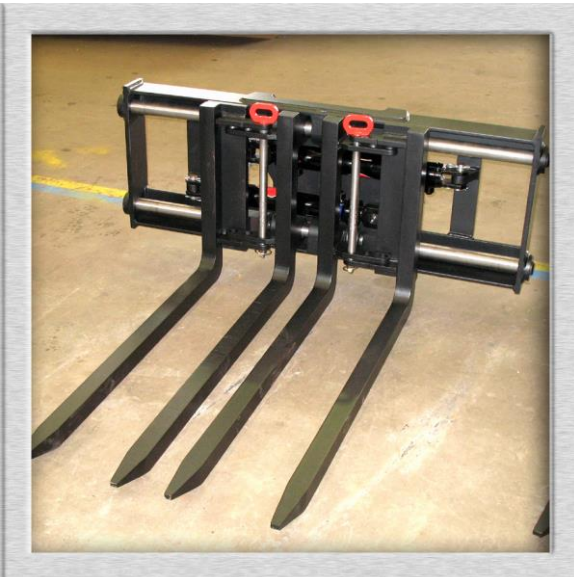


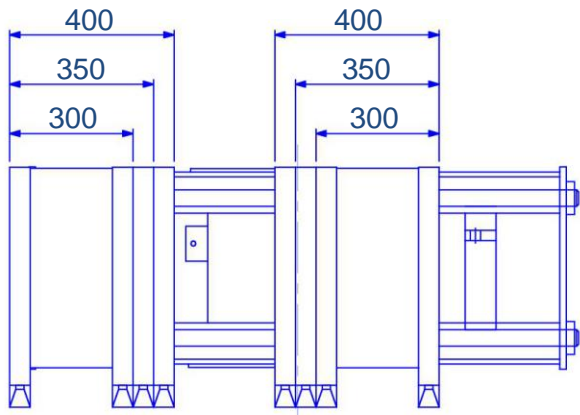
## BRICK-FORKS (SPECIFIC TYPE FORKS)



**Contatore Engineering's  
Brick Forks are secure, versatile  
& the preferred method of  
handling brick packs.  
The functions of the  
Brick Forks is controlled from  
within the loader cabin.**

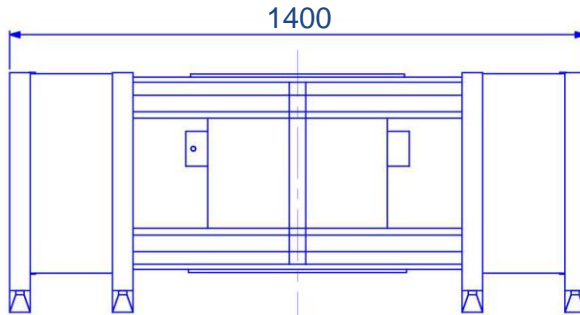
- 2 tonne Working Load Limit (WLL) capacity.
- Modern design with quality robust construction.
- Independent hydraulic movement of brick fork tynes to accommodate different pack combinations.
- Tynes are designed to split brick packs (Pack splitters).
- Specialised bushing for long life wear without any need for greasing the load bars.
- The Brick Forks are made to crowd forward 90° to ground level for compact loading onto transport truck / trailer.





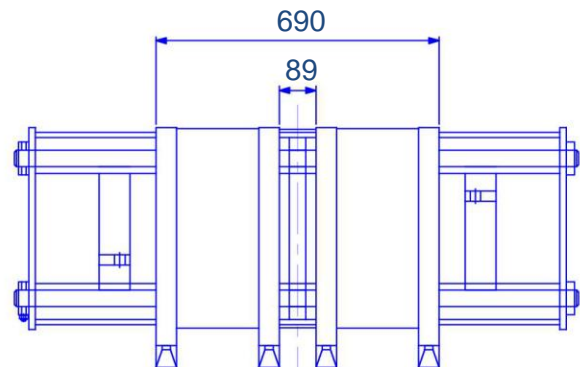
**FRONT VIEW**

SHOWING THE ADJUSTMENT OF THE INSIDE TYNES



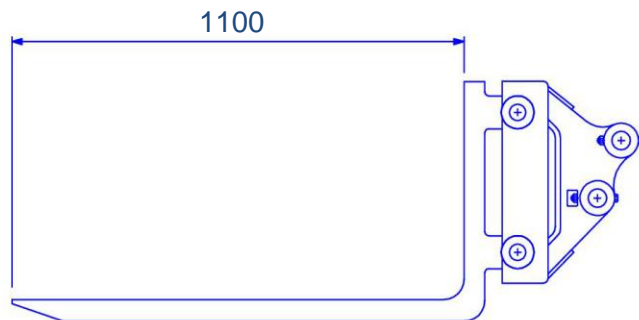
**FRONT VIEW**

MAXIMUM EXTENSION OF OUTSIDE (DRIVING) TYNES



**FRONT VIEW**

MAXIMUM RETRACTION OF OUTSIDE (DRIVING) TYNES



**SIDE VIEW**

LENGTH OF TYNE



Quality  
ISO 9001  
SAI GLOBAL



ABN 39 119 888 505

www.contatoreengineering.com.au

97 Radium Street  
Welshpool, WA, 6106

☎: (08) 9356 2725

☎: (08) 9351 8275

✉: admin@contatoreengineering.com.au