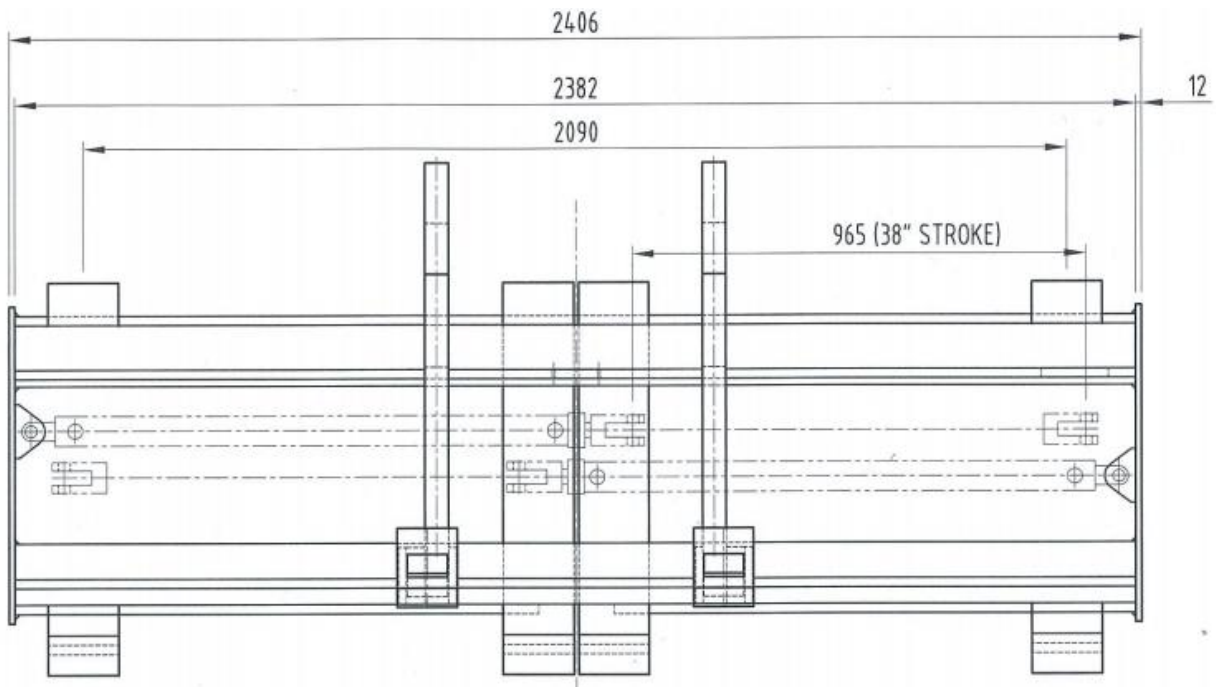


Contatore Engineering offer a hydraulic Fork frame, that is versatile & the industry preferred method to adjusting fork arms on the frame without leaving the cabin seat. This 6 tonne (6000.kg) Fork frame is fitted with the Fusion style pickups (to suit a range of loaders).

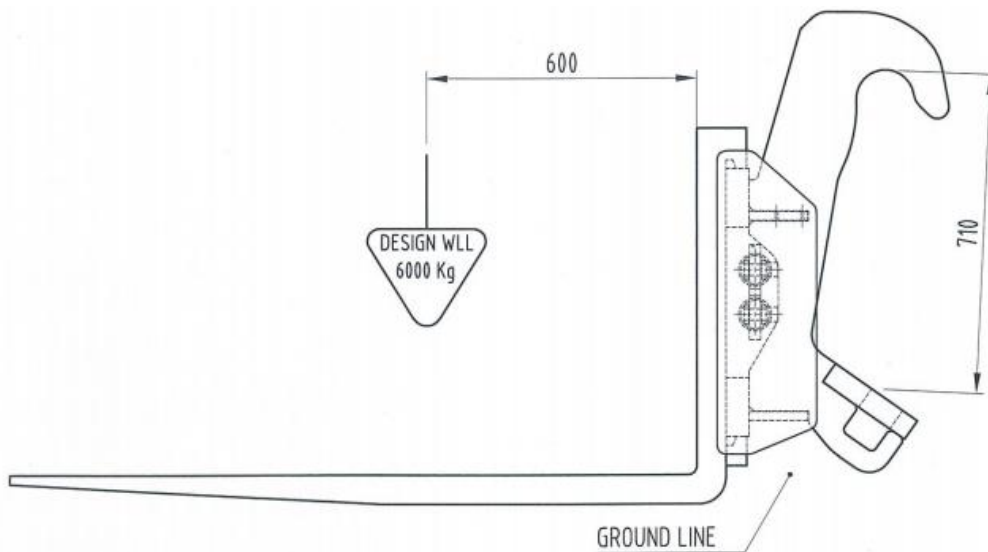
Lengths available
 1220mm, 1370mm, 1525mm
 1830mm, 2135mm & 2440mm



- Modern robust construction.
- Forks assemblies are certified and made to AS3990.
- Fork-Frames have engineers design certification 1795-CFE-01.
- Carriage widths available:
 - 2400mm, 1830mm, 1600mm
- Fork length options (see above).
- Fork-Frame comes with quality hydraulic components.
- Specifically designed hydraulic manifold, including flow divider for tynes sequencing and speed control.



REAR VIEW



SIDE VIEW

**Diagrams are for illustration purposes only, designs may differ depending on your requirements*



ABN 39 119 888 505

www.contatoreengineering.com.au

97 Radium Street
Welshpool, WA, 6106

☎: (08) 9356 2725

☎: (08) 9351 8275

✉: admin@contatoreengineering.com.au