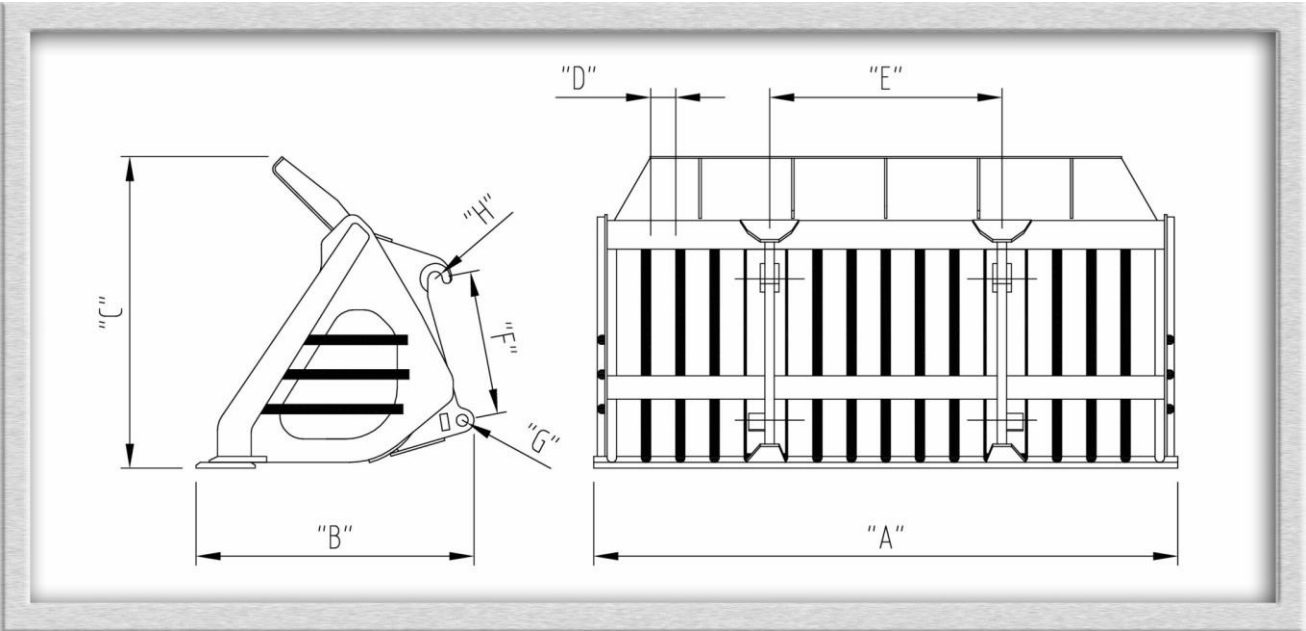


RAKE BUCKET

(SKELETON BUCKET)



At Contatore Engineering we know that flexibility is important to the productivity of your business, that is why we offer a wide range of attachments available for hire, hire/buy or straight out purchase.

The heavy duty Rake Bucket shown on this page is just one of the attachments available with the options discussed in the previous paragraph.

The pick ups are a Euro fitment that is compatible with a number of major machine manufacturer's quick couplers. See table below for dimensions.



	DESCRIPTION	MEASUREMENT
"A"	O/A LENGTH	2500mm
"B"	O/A WIDTH	1190mm
"C"	O/A HEIGHT	1332mm
"D"	GAP TYP.	105mm
"E"	LUG CENTRES	995mm
"F"	PIN CENTRES	616mm
"G"	LOWER PIN	Ø50
"H"	UPPER BAR	Ø60

