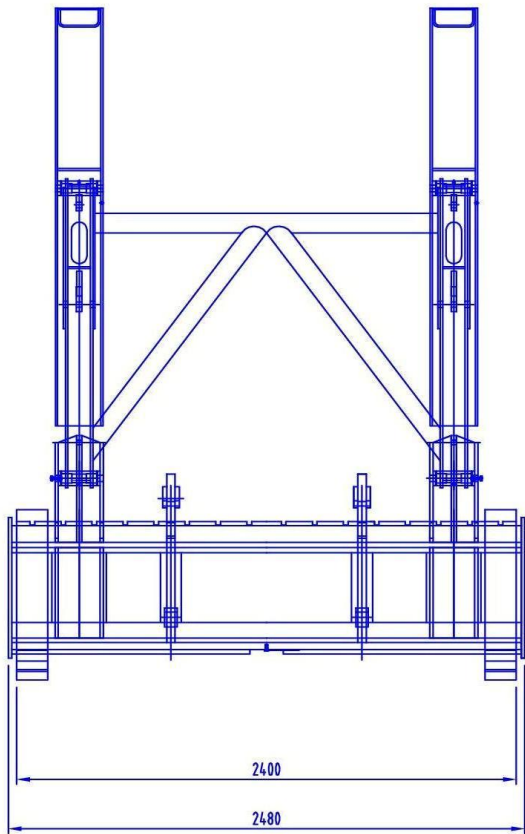




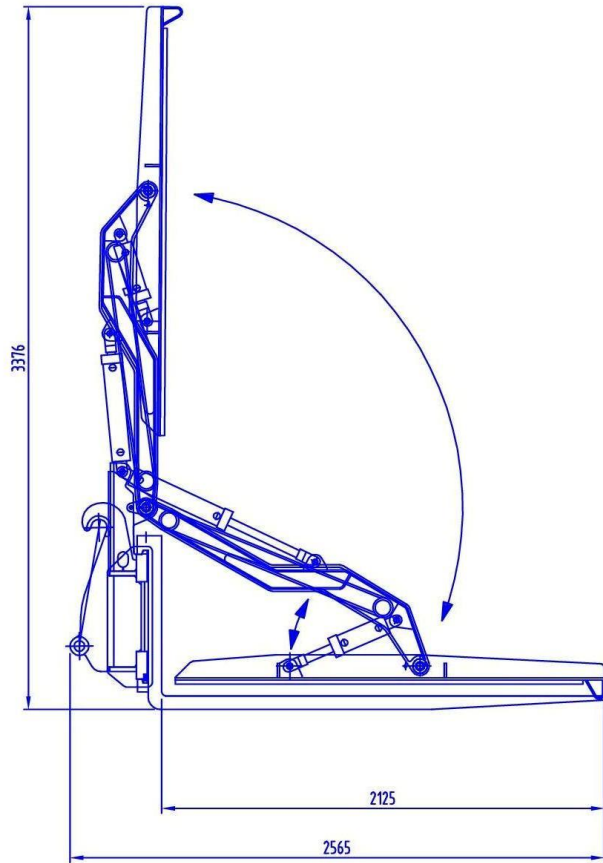
Contatore Engineering offer a solution to the handling of materials such as pipe and tube.

The Clamp Forks (Fork frame with hydraulic top clamps) serves to assist in the handling of pipes and tube by steadying the materials against the fork arms thus giving stability to materials being handled, mitigating the risk of unplanned lost of materials and injury to personnel.

- Able to hold Pipe and Tube from Ø60mm to Ø700mm.
- 6,000.KG Working Load Limit (WLL) @ 600mm load centres.
- Modern design with quality robust construction.
- Two function hydraulic control from inside the machine cabin.
 1. To adjust to pipe size.
 2. To level out pipes along the fork arms.



FRONT VIEW



SIDE VIEW

- The Clamp Forks are custom made to suit your Wheel loader requirements.

- Dimensions for the Frame and Fork arms are:

Frame = 2480mm (wide / front view)
 Fork Arms = 150mm x 65mm x 2125mm blade length

- Overall dimensions for the complete unit are:

2480mm (width / front view)
 ~ 2565mm (deep / depends on the loader connection type / side view)
 ~ 3376mm (high /side view)



Quality
 ISO 9001
 SAI GLOBAL



ABN 39 119 888 505

🌐: www.contatoreengineering.com.au

97 Radium Street
 Welshpool, WA, 6106

☎: (08) 9356 2725

📠: (08) 9351 8275

✉: admin@contatoreengineering.com.au