



Contatore Engineering offer a range of Tyre Handlers that are secure, versatile & the industry preferred method of handling large tyres.

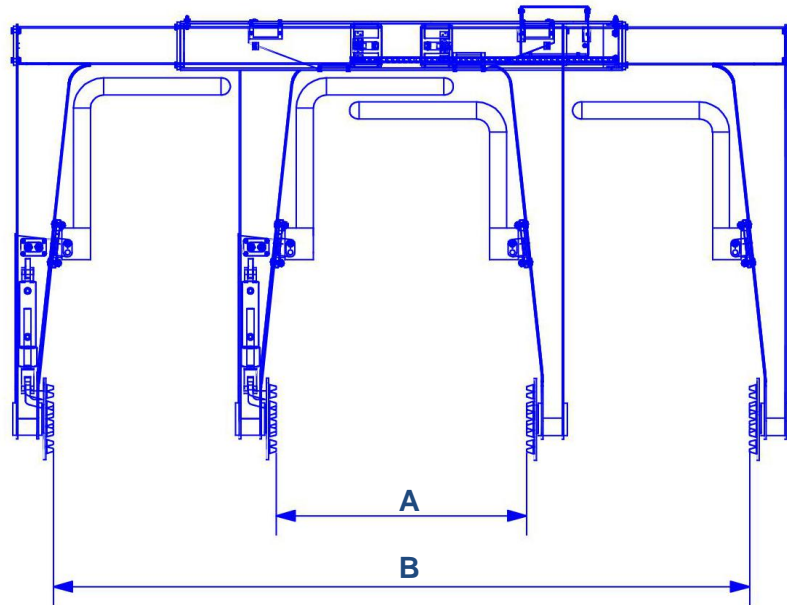
The functions of the Tyre Handler is controlled from within the loader cabin.

- Working Load Limits (WLL) range from 3 tonne to 8 tonne capacity.
- Modern design with quality robust construction.
- Includes Tyre arrestor arms for added safety
- Hydraulic Tyre Handler functions with electric joystick controls
- Safety switch activation required in conjunction with joystick control to release clamped tyre, avoiding accidental release of the tyre.

CLAMPING SPAN		
MODEL	"A"	"B"
TH3000	1120	2900
TH4500	1310	3650
TH6000	1250	3800
TH8000	1450	4300

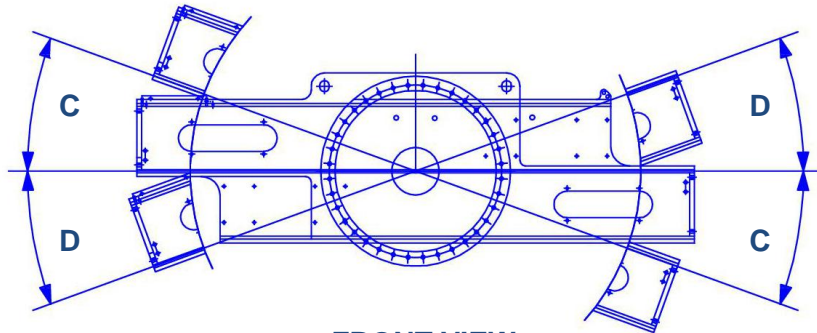
BODY ROTATION		
MODEL	"C"	"D"
TH3000	20°	20°
TH4500	20°	20°
TH6000	20°	20°
TH8000	20°	20°

PAD TILT	
MODEL	"E"
TH3000	110°
TH4500	110°
TH6000	110°
TH8000	110°

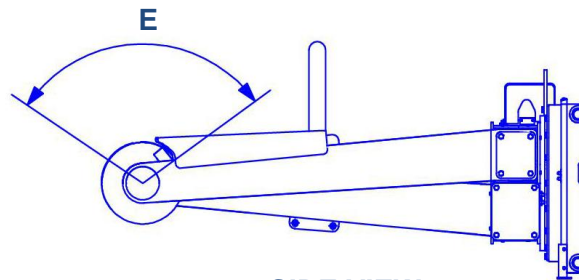


**PLAN VIEW**

Note: All Tyre Handlers come standard with a 200mm body side shift movement (100mm each side of center line).



**FRONT VIEW**



**SIDE VIEW**

MODEL	TH3000	TH4500	TH6000	TH8000
TYRE CAPACITY	27.00 X R49	37.00 X R57	40.00 X R57	50/90 X R57



Website: [www.contatoreengineering.com.au](http://www.contatoreengineering.com.au)

97 Radium Street  
Welshpool, WA, 6106

Phone: (08) 9356 2725

Phone: (08) 9351 8275

Email: [admin@contatoreengineering.com.au](mailto:admin@contatoreengineering.com.au)